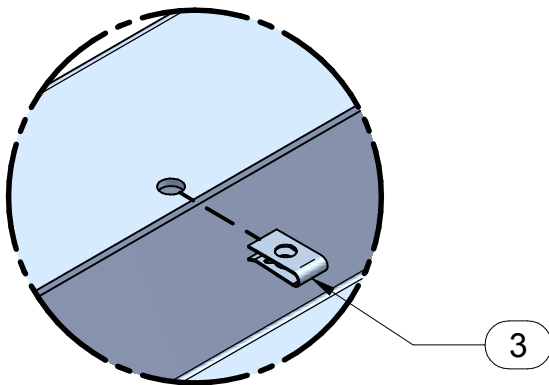
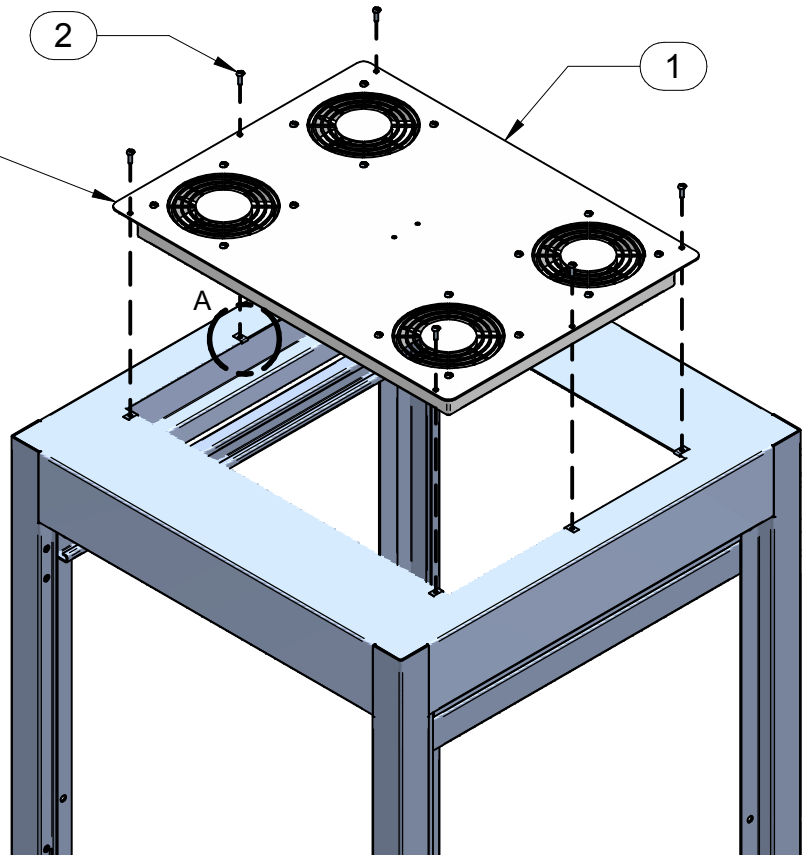


Fan top shown. Common for all tops.



DETAIL A

ASSEMBLY INSTRUCTIONS:

- A) Install U-Clip nuts on top of cabinet frame as shown in Detail A.
- B) Place top panel assembly on cabinet frame and loosely install provided 8-32 X 1/2 screws.
- C) Tighten hardware.

PARTS LIST	
ITEM No.	DESCRIPTION
1	TOP PANEL
2	8-32 X 1/2 SCREW
3	8-32 U-CLIP NUT

TOOL BOX



Phillips
Screw Driver

